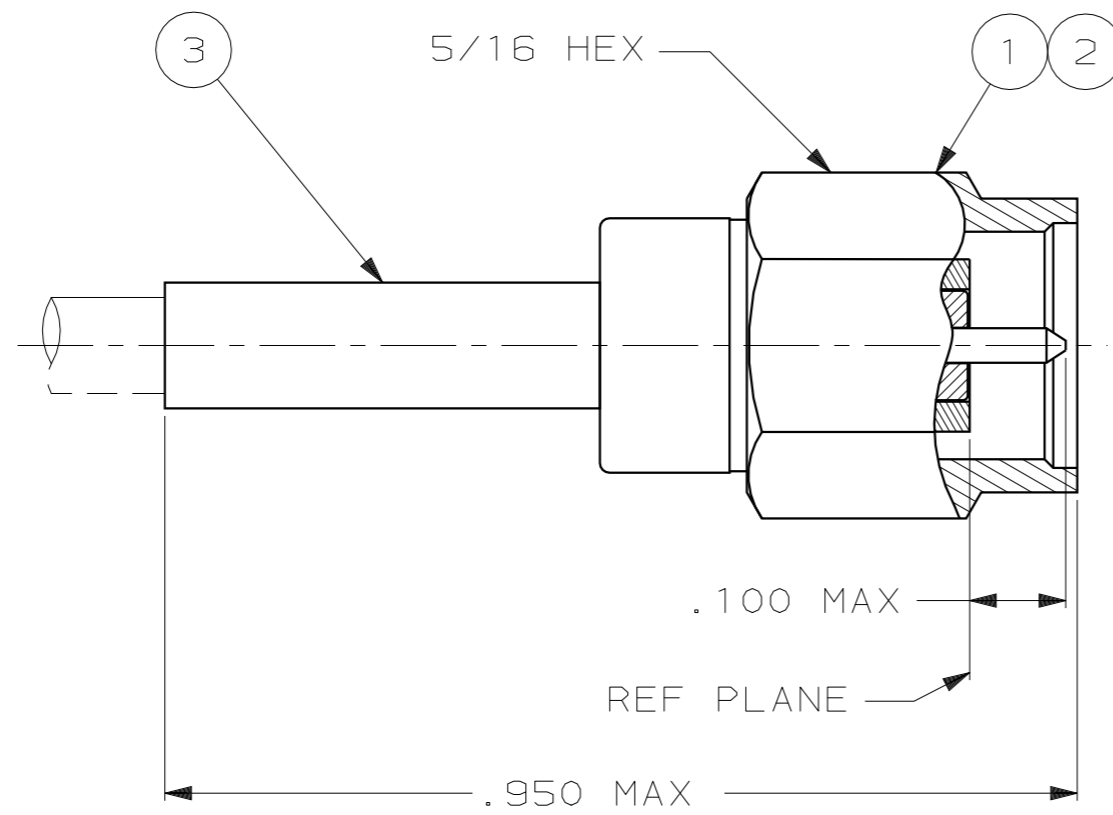


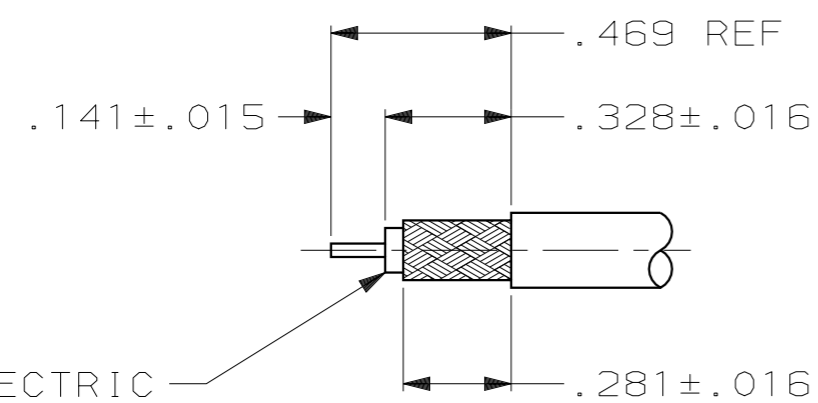
THIS DRAWING IS UNPUBLISHED. RELEASED FOR PUBLICATION, 19
 © COPYRIGHT 19 BY AMP INCORPORATED. ALL INTERNATIONAL RIGHTS RESERVED.

LOC	DIST	P	F	REVISIONS				
AJ	16			ZONE	LTR	DESCRIPTION	DATE	APPD
					C	OBS PER 0U20-0308-00	15MAR01	M0



1. FOR USE WITH: DOUBLE BRAID RG-188/U CABLE .120 MAX I.D.
2. CRIMP WITH TOOL: P82-35097

OBSOLETE



CUT DIELECTRIC SQUARE

RECOMMENDED STRIP LENGTH
SCALE: 2:1

1	50285-5	FERRULE	3
1	225540-4	CONTACT	2
1	225533-2	PLUG ASSEMBLY	1
QTY	PART NUMBER	DESCRIPTION	ITEM

DO NOT SCALE PRINT. UNLESS SPECIFIED DIMENSIONS IN INCHES TOLERANCES ON: 2 PLC DEC ± 3 PLC DEC ± .008 ANGLES ±		DR L.A.MOSCOSO 9-29-88	PART NO	
MATERIAL	FINISH	CHK S.J.MAGARO 9/30/88	AMP INCORPORATED Harrisburg, Pa. 17105	
		APPD N.L.GUSTIN 11-21-88	NAME	
		APPD S.J.MAGARO 11-22-88	PLUG, SERIES SMA	
		PRODUCT SPEC	SIZE	FSCM NO
		APPLICATION SPEC	B	00779
		WEIGHT .006955 LB	SCALE	DRAWING NO
			5:1	1-225532-1
				SHEET 1 OF 1